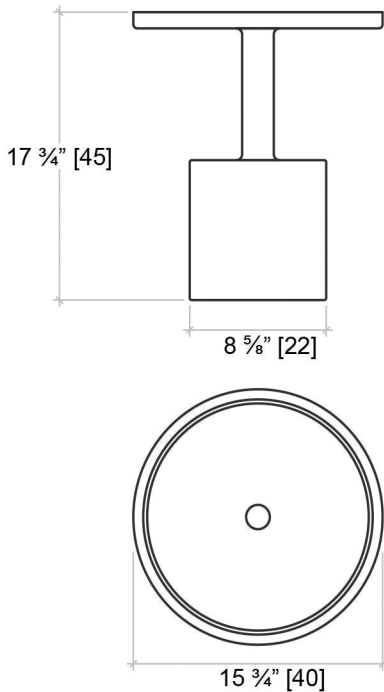




l ā b r i c a



## Boton Table #1

Design & Manufacture by LABRICA

### DESCRIPTION

Inspired by old brass buttons and cuff links, this series includes three different table tops each with a distinct base.

The series continues to grow and each piece can be modified to be a coffee table or dining table. Each boton table is made with solid wood.

### SPECIFICATIONS

Dimensions:

15.75" L x 15.75" W x 17.75" H

### MATERIALS:



Matilisguate  
(Tabebuia Rosea)



Conacaste  
Black stain



Conacaste  
(Enterolobium  
Cyclocarpum)

Custom finishes available

Lead Time:  
8-10 weeks