



l ā b r i c a



Boton Table #2

Design & Manufacture by LABRICA

DESCRIPTION

Inspired by old brass buttons and cuff links, this series includes three different table tops each with a distinct base.

The series continues to grow and each piece can be modified to be a coffee table or dining table. Each boton table is made with solid wood.

SPECIFICATIONS

Dimensions:

15.75" L x 15.75" W x 17.75" H

MATERIALS:



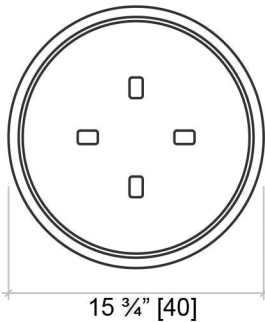
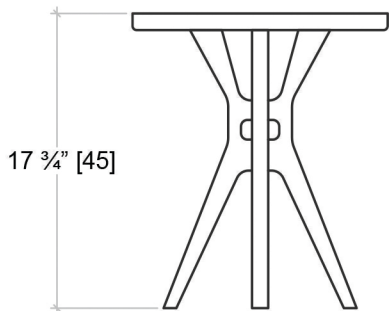
Matisguate
(Tabebuia Rosea)



Conacaste
Black stain



Conacaste
(Enterolobium
Cyclocarpum)



Custom finishes available

Lead Time:
8-10 weeks