



l ā b r i c a

Capirucho Stool

Design & Manufacture by LABRICA

DESCRIPTION

The capirucho side table and stool are inspired by a popular yet simple toy enjoyed for many generations by kids in Guatemala. The piece has a playful silhouette turned with conacaste, and it can be accentuated with colorful bands creating a more fun look that represents the original capirucho toy.

SPECIFICATIONS

Dimensions:

14.625" L x 14.625" W x 17.75" H

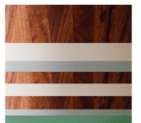
MATERIALS:



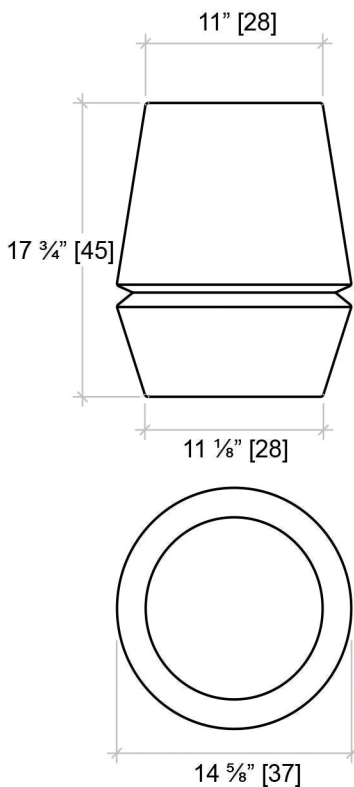
Matilisguate
(Tabebuia Rosea)



Conacaste
Ebonized Brushed



Conacaste
with Bands
(Enterolobium
Cyclocarpum)



Custom finishes available

Lead Time:
8-10 weeks